

WELLSUNFAN[®]

- Customer First, Quality Foremost
- Focus on Providing Cooling Solutions

SHENZHEN WELLSUNFAN ELECTRONIC CO., LTD.

Add: Room 301, Building H, Longtianli Industrial Park, Zhangge Community, Fucheng Street, Longhua District, Shenzhen, China

TEL: 0755-88362227 www.wellsunfan.com sales@wellsunfan.com

01 Enterprise Overview

- ORGANIZATIONAL STRUCTURE
- ENTERPRISE CULTURE

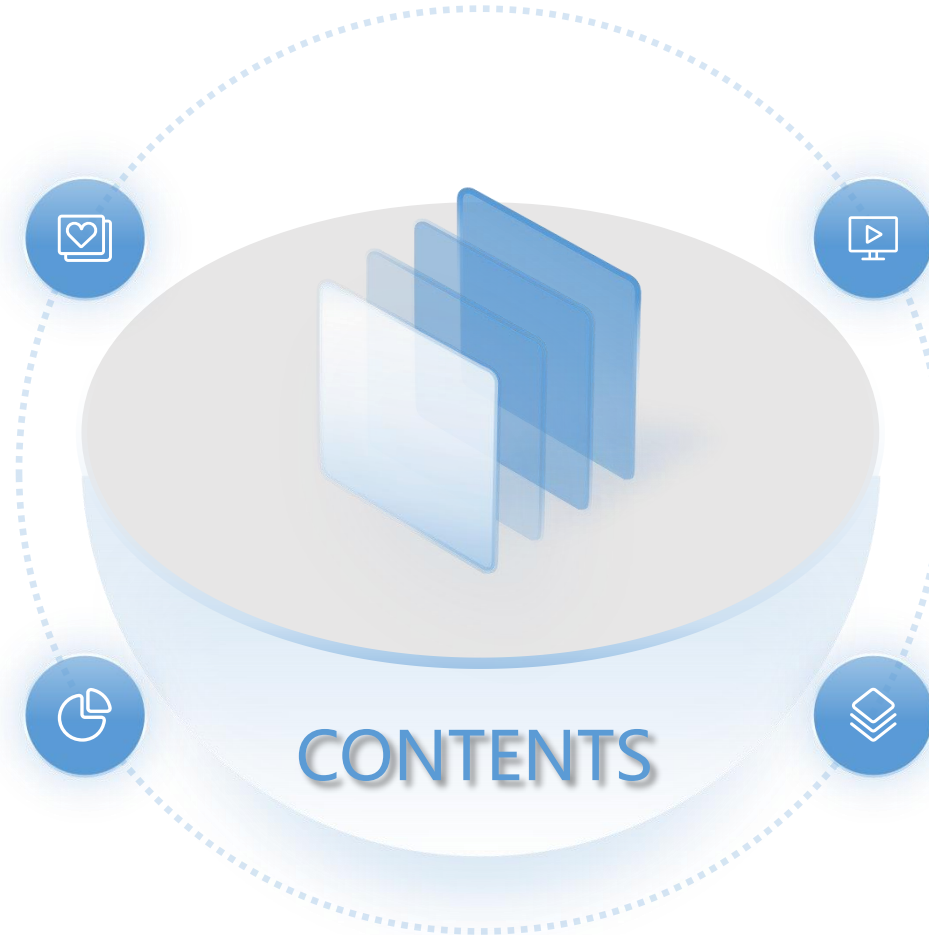
02 Technological Process

- HIGH-PRECISION EQUIPMENTS

03 Product Presentation

- Product Application
- Product Specification

04 Certificates





SHENZHEN WELLSUNFAN ELECTRONIC CO.,LTD

Our company was founded in Shenzhen in 2011, specializing in the research and development, design, production and sales of cooling fans. We have the trademark of WELLSUNFAN. Operating from a modern 10,000-square-meter factory, we are supported by a professional team consisting of 300 people.

Boasting solid strength in product research and development, we currently possess a professional R&D team of more than 20 people and have collaborated closely with renowned research institutes and universities at home and abroad. We have high-precision and reliable equipment, including noise testers, air volume and pressure testers, high-precision balancing instrument, constant temperature and humidity chambers, high and low temperature aging testers and ROHS testers. Our Assembly Workshop features 8 assembly lines, 4 fully automatic production lines and 10 automatic winding machines, boasting a monthly output capacity of up to 3 million fans, ensuring efficient and high-quality production.

Injection Molding Workshop stands out with 60 fully automatic injection molding machines, while SMT Workshop is equipped with automatic printing machines, SMT high-speed placement machines, reflow soldering, and AOI automatic inspection machines.

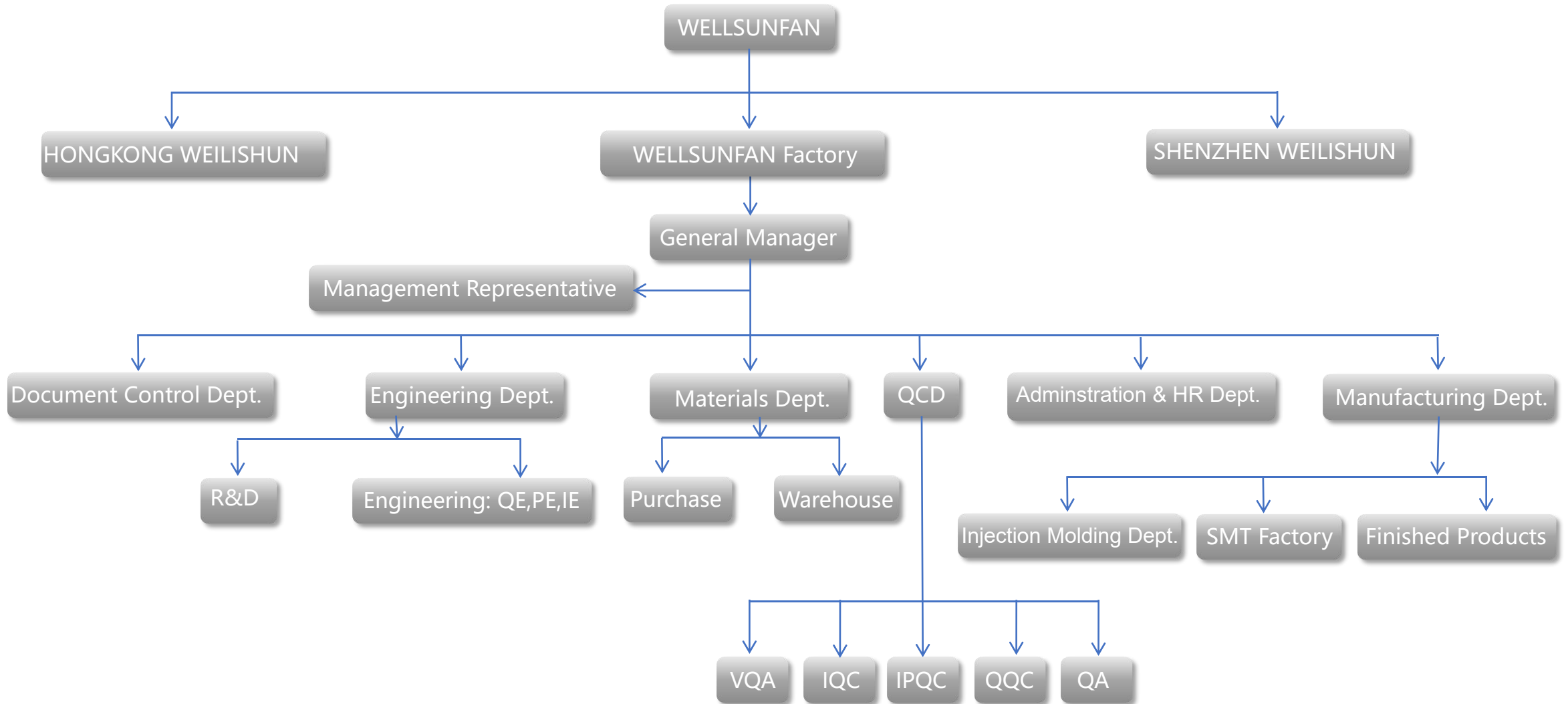
We follow ISO9000 and ISO14001 quality standards, strictly control various operation processes, have obtained international safety certifications such as UL, ETL, TUV, and CE.

Our products are widely used in many fields, such as commercial refrigeration cabinets, fresh air systems, air purification, new energy, security, 5G equipment, household appliances, vehicle equipment, 3D printers, etc. They are sold well in various countries around the world, including the United States, Britain, France, South Korea, Russia, India, etc. We have established strategic cooperative relationships with many world-renowned enterprises.

We adhere to the principle of "**Customer First, Quality Foremost**".

For more details, please visit our website www.wellsunfan.com

ORGANIZATIONAL STRUCTURE



ENTERPRISE CULTURE



EXECUTION



COOPERATION



STRIVING

TEAMWORK



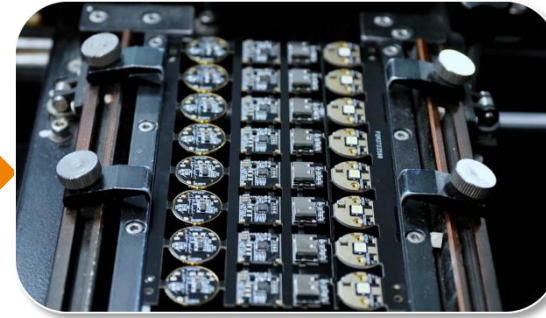
TECHNOLOGICAL PROCESS



Winding copper wire



Assembly of PCBA



SMT



Injection Molding frame and impeller



Packaging



Testing



Assembly



Epoxy

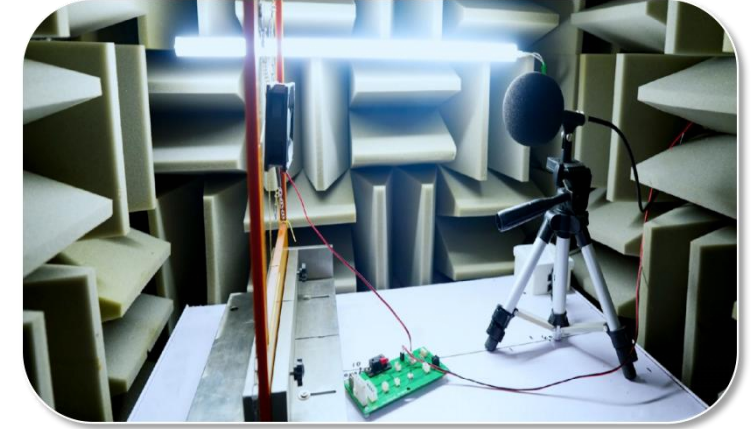
HIGH-PRECISION EQUIPMENTS



PCBA Testing Room



SMT Testing Room



Noise Testers Room



High-Precision Balancing Instrument



Air Volume And Pressure Testers



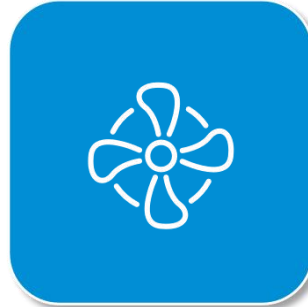
High And Low Temperature Aging Testers



Constant Temperature And Humidity Chambers

PRODUCT PRESENTATION

DC FAN



EC FAN



AC FAN



CPU HEATSINK FAN



DC Cooling Fan



DC Cooling Fan is an efficient and energy-saving cooling solution, offering quiet operation, adjustable speed and long-lasting performance, perfect for any environment.

AC Cooling Fan



AC Fan is a robust and energy-efficient cooling solution, designed to provide maximum airflow while operates quietly, making it an ideal choice for both home and office environments.

EC Cooling Fan



EC Fan is a harmonious blend of efficiency and power, incorporating the advantages of both AC and DC fans to deliver exceptional airflow, minimal noise and durable performance.

CPU Heatsink Fan



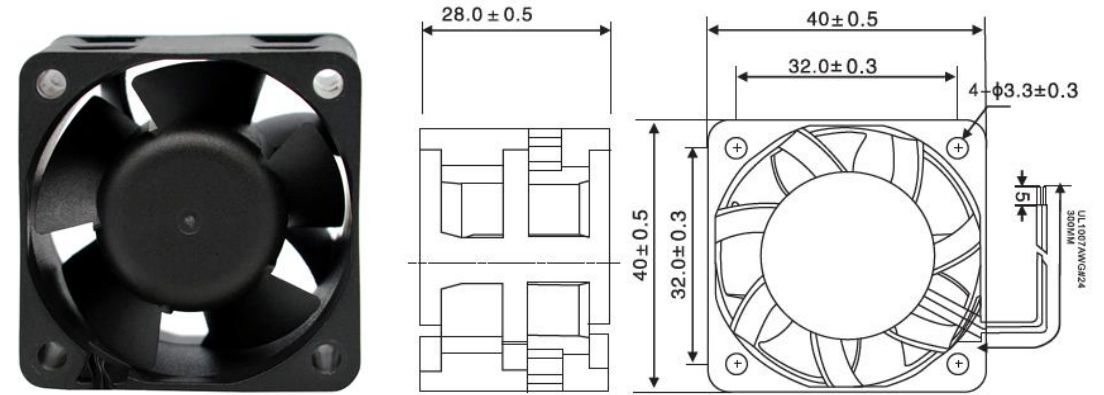
CPU Heatsink Fan is a premier cooling device the operates quietly, ensuring efficient heat dispersion and prolonging the lifespan of CPU to maintain a peaceful workspace.

DC COOLING FAN

4028 40x40x28MM

Features

- Size-----40x40x28mm(1.6x1.6x1.1inch)
- Frame-----Plastic UL94V0
- Impeller----Plastic UL94V0
- Lead Wire--UL1007AWG#24 or Equivalent (+) Red, (-) Black
- Bearings----C=Ball Bearing&S=Sleeve Bearing
- Life Expectancy---70,000Hours at 20°C-Ball. 30,000Hours at 20°C-Sleeve
- Temperature Range: Temperature Range...Operating Temperature -10°C~70°C(Non-condensing)
Storage Temperature -40°C~70°C(Non-condensing)
- Approvals---UL CUL TUV CE RoHS
- DC FAN Specials---RD,FG, PWM, IP56



Model	Bearing System		Rated Voltage	Operating Voltage	Current	Input Power	Rated Speed	Air Flow	Air Pressure		Noise	Weight
	S	C							inch-H2O	mm-H2O		
FD04028#12S	√	√	12	7.0~13.8	1.00	12.00	18000	27.76	1.63	41.40	62.4	40.0
FD04028#12E	√	√	12	7.0~13.8	0.65	7.80	15000	23.15	1.14	28.96	57.1	40.0
FD04028#12H	√	√	12	7.0~13.8	0.45	5.40	13000	19.78	0.86	21.84	53.0	40.0
FD04028#12M	√	√	12	7.0~13.8	0.25	3.00	10000	14.97	0.47	11.94	45.2	40.0
FD04028#12L	√	√	12	7.0~13.8	0.17	2.04	8000	12.25	0.27	6.86	39.9	40.0
FD04028#24E	√	√	24	14~27.6	0.35	8.40	15000	23.15	1.14	28.96	57.1	40.0
FD04028#24H	√	√	24	14~27.6	0.25	6.00	13000	19.78	0.86	21.84	53.0	40.0
FD04028#24M	√	√	24	14~27.6	0.14	3.36	10000	14.97	0.47	11.94	45.2	40.0
FD04028#24L	√	√	24	14~27.6	0.11	2.64	8000	12.25	0.27	6.86	39.9	40.0

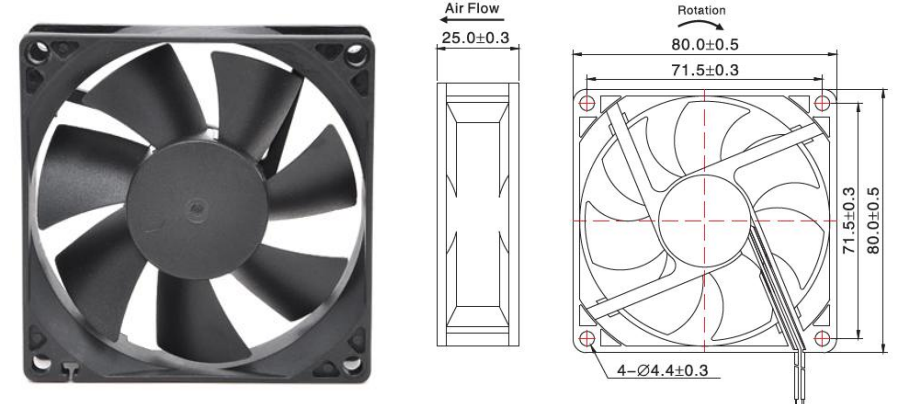
All models could be customized on voltage or any other requirements to fit your need.

DC COOLING FAN

8025 80x80x25MM

Features

Size-----80x80x25mm(3.2x3.2x1.0inch)
 Frame-----Plastic UL94V0
 Impeller----Plastic UL94V0
 Lead Wire--UL1007AWG#24 or Equivalent (+) Red, (-) Black
 Bearings----C=Ball Bearing&S=Sleeve Bearing
 Life Expectancy---70,000Hours at 20°C-Ball. 30,000Hours at 20°C-Sleeve.
 Temperature Range: Temperature Range...Operating Temperature -10°C~70°C(Non-condensing)
 Storage Temperature -40°C~70°C(Non-condensing)
 Approvals---UL CUL TUV CE RoHS
 DC FAN Specials---RD,FG, IP56, PWM



Model	Bearing System		Rated Voltage	Operating Voltage	Current	Input Power	Rated Speed	Air Flow	Air Pressure		Noise	Weight
	S	C							inch-H20	mm-H20		
FD08025#12S	√	√	12	7.0~13.8	0.50	6.00	4000	47.95	0.33	8.38	39.1	58.0
FD08025#12E	√	√	12	7.0~13.8	0.40	4.80	3500	41.64	0.25	6.35	39.1	58.0
FD08025#12H	√	√	12	7.0~13.8	0.30	3.60	3000	35.02	0.18	4.57	34.8	58.0
FD08025#12M	√	√	12	7.0~13.8	0.20	2.40	2500	29.06	0.12	3.05	30.1	58.0
FD08025#12L	√	√	12	7.0~13.8	0.10	1.20	2000	23.68	0.08	2.03	25.3	58.0
FD08025#24S	√	√	24	14~27.6	0.40	9.60	4000	47.95	0.33	8.38	44.7	58.0
FD08025#24E	√	√	24	14~27.6	0.30	7.20	3500	41.64	0.25	6.35	42.1	58.0
FD08025#24H	√	√	24	14~27.6	0.20	4.80	3000	35.02	0.18	4.57	39.1	58.0
FD08025#24M	√	√	24	14~27.6	0.15	3.60	2500	29.06	0.12	3.05	34.8	58.0
FD08025#24L	√	√	24	14~27.6	0.10	2.40	2000	23.68	0.08	2.03	30.1	58.0
FD08025#48E	√	√	48	28.0~56.0	0.30	14.40	4000	47.95	0.33	8.38	59.8	85.0
FD08025#48H	√	√	48	28.0~56.0	0.25	12.00	3500	41.64	0.25	6.35	56.5	85.0
FD08025#48M	√	√	48	28.0~56.0	0.20	9.60	3000	35.02	0.18	4.57	53.2	85.0
FD08025#48L	√	√	48	28.0~56.0	0.15	7.20	2500	29.06	0.12	3.05	49.1	85.0

All models could be customized on voltage or any other requirements to fit your need.

DC COOLING FAN

12038 120x120x38MM

Features

Size-----120x120x38mm(4.7x4.7x1.5inch)

Frame-----Plastic UL94V0

Impeller----Plastic UL94V0

Lead Wire--UL1007AWG#24 or Equivalent (+) Red, (-) Black

Bearings----C=Ball Bearing

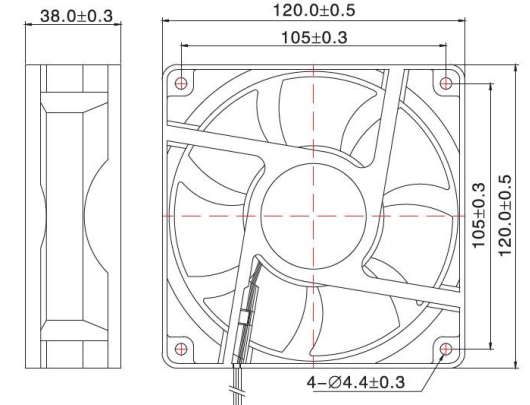
Life Expectancy---70,000Hours at 20°C-Ball.

Temperature Range: Temperature Range...Operating Temperature -10°C~70°C(Non-condensing)

Storage Temperature -40°C~70°C(Non-condensing)

Approvals---UL CUL TUV CE RoHS

DC FAN Specials---RD,FG, IP56, PWM, Temperature Control,



Model	Bearing System	Rated Voltage	Operating Voltage	Current	Input Power	Rated Speed	Air Flow	Air Pressure		Noise	Weight
Part No.	C	VDC	VDC	A	Watt	R.P.M	CFM	inch-H2O	mm-H2O	dBA	g
FD12038#12E	√	12	7.0~13.8	1.50	18.00	4000	135.43	0.54	13.72	55.6	262.0
FD12038#12H	√	12	7.0~13.8	1.00	12.00	3500	113.01	0.45	11.43	50.9	262.0
FD12038#12M	√	12	7.0~13.8	0.60	7.20	3000	85.87	0.34	8.64	46.2	262.0
FD12038#12L	√	12	7.0~13.8	0.40	4.80	2500	61.29	0.25	6.35	41.5	262.0
FD12038#24E	√	24	14~27.6	1.00	24.00	4000	135.43	0.54	13.72	55.6	262.0
FD12038#24H	√	24	14~27.6	0.60	14.40	3500	113.01	0.45	11.43	50.9	262.0
FD12038#24M	√	24	14~27.6	0.40	9.60	3000	85.87	0.34	8.64	46.2	262.0
FD12038#24L	√	24	14~27.6	0.20	4.80	2500	61.29	0.25	6.35	41.5	262.0
FD12038#48E	√	48	28.0~56.0	0.60	28.80	4000	135.43	0.54	13.72	55.6	262.0
FD12038#48H	√	48	28.0~56.0	0.40	19.20	3500	113.01	0.45	11.43	50.9	262.0
FD12038#48M	√	48	28.0~56.0	0.20	9.60	3000	85.87	0.34	8.64	46.2	262.0
FD12038#48L	√	48	28.0~56.0	0.12	5.76	2500	61.29	0.25	6.35	41.5	262.0

All models could be customized on voltage or any other requirements to fit your need.

DC COOLING FAN

17251 172x152x51MM

Features

Size-----172x152x51mm(6.8x6.0x2.0inch)

Frame-----Plastic UL94V0

Impeller-----Plastic UL94V0

Lead Wire--UL1007AWG#24 or Equivalent (+) Red, (-) Black

Bearings----C=Ball Bearing

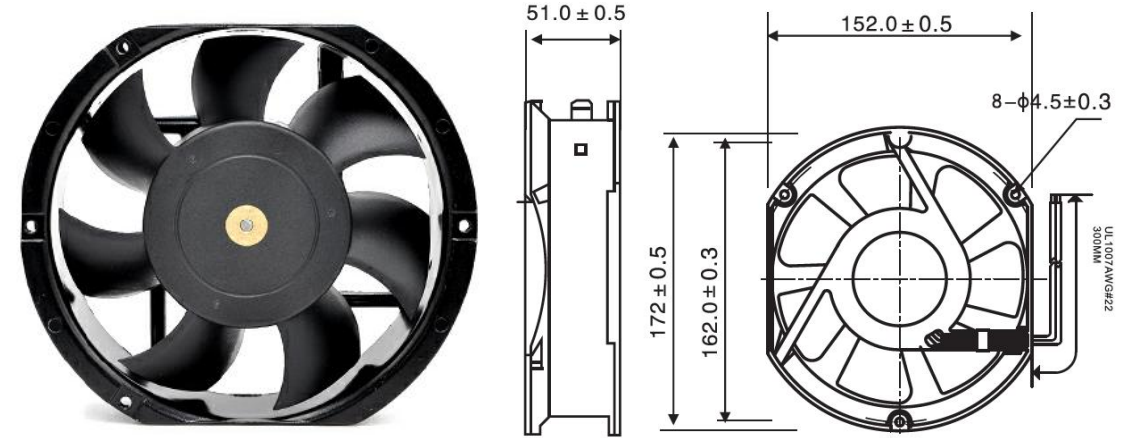
Life Expectancy---70,000Hours at 20°C-Ball.

Temperature Range: Temperature Range...Operating Temperature -10°C~70°C(Non-condensing)

Storage Temperature -40°C~70°C(Non-condensing)

Approvals---UL CUL TUV CE RoHS

DC FAN Specials---RD,FG, IP56, PWM, Temperature Control,



Model	Bearing System	Rated Voltage	Operating Voltage	Current	Input Power	Rated Speed	Air Flow	Air Pressure		Noise	Weight
Part No.	C	VDC	VDC	A	Watt	R.P.M	CFM	inch-H20	mm-H20	dBA	g
FD17251#12E	√	12	7.0~13.8	3.00	36.00	4000	284.07	0.91	23.11	60.9	740.0
FD17251#12H	√	12	7.0~13.8	2.00	24.00	3500	247.78	0.72	18.29	57.8	740.0
FD17251#12M	√	12	7.0~13.8	1.50	18.00	3000	212.82	0.55	13.97	53.0	740.0
FD17251#12L	√	12	7.0~13.8	1.00	12.00	2500	181.47	0.42	10.67	48.0	740.0
FD17251#24E	√	24	14~27.6	1.50	36.00	4000	284.07	0.91	23.11	60.9	740.0
FD17251#24H	√	24	14~27.6	1.00	24.00	3500	247.78	0.72	18.29	57.8	740.0
FD17251#24M	√	24	14~27.6	0.70	16.80	3000	212.82	0.55	13.97	53.0	740.0
FD17251#24L	√	24	14~27.6	0.50	12.00	2500	181.47	0.42	10.67	48.0	740.0
FD17251#48E	√	48	28.0~56.0	0.80	38.40	4000	284.07	0.91	23.11	60.9	740.0
FD17251#48H	√	48	28.0~56.0	0.60	28.80	3500	247.78	0.72	18.29	57.8	740.0
FD17251#48M	√	48	28.0~56.0	0.50	24.00	3000	212.82	0.55	13.97	53.0	740.0
FD17251#48L	√	48	28.0~56.0	0.40	19.20	2500	181.47	0.42	10.67	48.0	740.0

All models could be customized on voltage or any other requirements to fit your need.

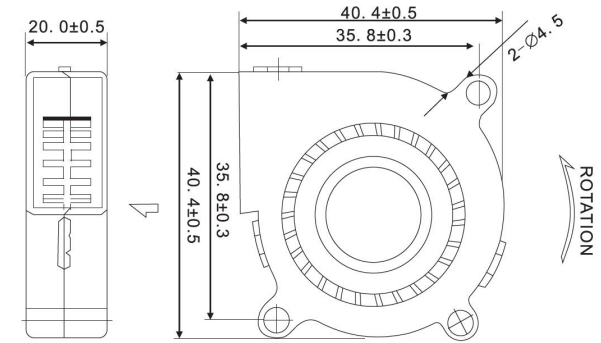
DC BLOWER FAN

4020 40x20MM

Features

- Size-----40x20mm(1.6x0.8 inch)
- Frame-----Plastic UL94V0
- Impeller-----Plastic UL94V0
- Lead Wire--UL1007AWG#26 or Equivalent (+) Red, (-) Black
- Bearings----C=Ball Bearing&S=Sleeve Bearing
- Life Expectancy---70,000Hours at 20°C-Ball. 30,000Hours at 20°C-Sleeve
- Temperature Range: Temperature Range...Operating Temperature -10°C~70°C(Non-condensing)
Storage Temperature -40°C~70°C(Non-condensing)

Approvals---UL CUL TUV CE RoHS
DC FAN Specials---RD,FG, IP56, PWM



Model	Bearing System		Rated Voltage	Operating Voltage	Current	Input Power	Rated Speed	Air Flow	Air Pressure		Noise	Weight
	S	C							inch-H20	mm-H20		
WD04020#5M	√	√	5	3.5~5.5	0.15	0.75	4200	2.90	0.19	4.83	25.0	26.0
WD04020#5L	√	√	5	3.5~5.5	0.10	0.50	3000	2.50	0.25	6.35	23.0	26.0
WD04020#12H	√	√	12	7.0~13.8	0.11	1.32	6000	4.10	0.37	9.40	34.0	26.0
WD04020#12M	√	√	12	7.0~13.8	0.09	1.08	5300	3.50	0.27	6.86	29.0	26.0
WD04020#12L	√	√	12	7.0~13.8	0.06	0.72	4200	2.90	0.19	4.83	25.0	26.0
WD04020#24H	√	√	24	14~27.6	0.10	2.40	6000	4.10	0.37	9.40	34.0	26.0
WD04020#24M	√	√	24	14~27.6	0.08	1.92	5300	3.50	0.27	6.86	29.0	26.0
WD04020#24L	√	√	24	14~27.6	0.05	1.20	4200	2.90	0.19	4.83	25.0	26.0

All models could be customized on voltage or any other requirements to fit your need.

DC BLOWER FAN

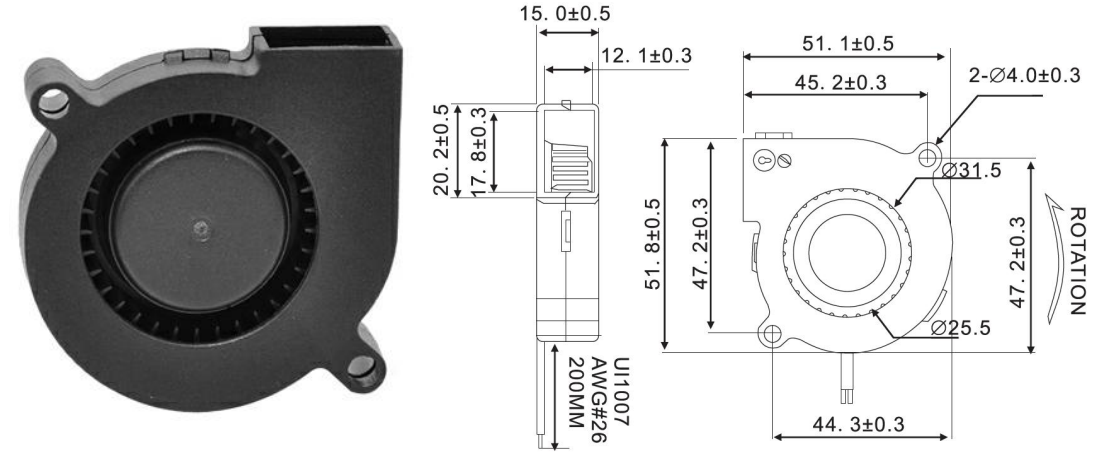
5015 50x15MM

Features

- Size-----50x15mm(2.0x0.6 inch)
- Frame-----Plastic UL94V0
- Impeller-----Plastic UL94V0
- Lead Wire--UL1007AWG#26 or Equivalent (+) Red, (-) Black
- Bearings----C=Ball Bearing&S=Sleeve Bearing
- Life Expectancy---70,000Hours at 20°C-Ball. 30,000Hours at 20°C-Sleeve
- Temperature Range: Operating Temperature -10°C~70°C(Non-condensing)
- Storage Temperature -40°C~70°C(Non-condensing)

Approvals---UL CUL TUV CE RoHS

DC FAN Specials---RD,FG, IP56, PWM



Model	Bearing System		Rated Voltage	Operating Voltage	Current	Input Power	Rated Speed	Air Flow	Air Pressure		Noise	Weight
	S	C							inch-H20	mm-H20		
WD05015#5H	√	√	5	3.5~5.5	0.45	2.25	5500	4.00	0.46	11.68	41.2	30.0
WD05015#5M	√	√	5	3.5~5.5	0.35	1.75	5000	3.59	0.35	8.89	38.1	30.0
WD05015#5L	√	√	5	3.5~5.5	0.25	1.25	4500	3.19	0.27	6.86	35.1	30.0
WD05015#12H	√	√	12	7.0~13.8	0.18	2.16	5500	4.00	0.46	11.68	41.2	30.0
WD05015#12M	√	√	12	7.0~13.8	0.15	1.80	5000	3.59	0.35	8.89	38.1	30.0
WD05015#12L	√	√	12	7.0~13.8	0.12	1.44	4500	3.19	0.27	6.86	35.1	30.0
WD05015#24H	√	√	24	14~27.6	0.10	2.40	5500	4.00	0.46	11.68	41.2	30.0
WD05015#24M	√	√	24	14~27.6	0.08	1.92	5000	3.59	0.35	8.89	38.1	30.0
WD05015#24L	√	√	24	14~27.6	0.06	1.44	4500	3.19	0.27	6.86	35.1	30.0

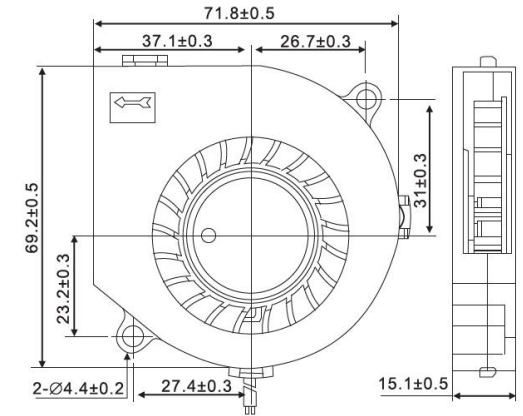
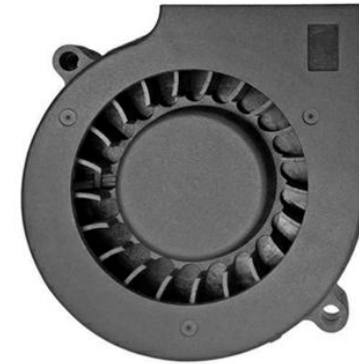
All models could be customized on voltage or any other requirements to fit your need.

DC BLOWER FAN

7015 70x15MM

Features

- Size-----70x15mm(2.8x0.6 inch)
- Frame-----Plastic UL94V0
- Impeller-----Plastic UL94V0
- Lead Wire--UL1007AWG#24 or Equivalent (+) Red, (-) Black
- Bearings----C=Ball Bearing&S=Sleeve Bearing
- Life Expectancy---70,000Hours at 20°C-Ball. 30,000Hours at 20°C-Sleeve
- Temperature Range: Temperature Range...Operating Temperature -10°C~70°C(Non-condensing)
Storage Temperature -40°C~70°C(Non-condensing)
- Approvals---UL CUL TUV CE RoHS
- DC FAN Specials---RD,FG, IP56, PWM



Model	Bearing System		Rated Voltage	Operating Voltage	Current	Input Power	Rated Speed	Air Flow	Air Pressure		Noise	Weight
Part No.	S	C	VDC	VDC	A	Watt	R.P.M	CFM	inch-H20	mm-H20	dBA	g
WD07015#5H	√	√	5	3.5~5.5	0.62	3.10	3600	7.40	0.74	18.80	38.6	48.0
WD07015#5M	√	√	5	3.5~5.5	0.41	2.05	3100	6.90	0.56	14.22	36.5	48.0
WD07015#5L	√	√	5	3.5~5.5	0.33	1.65	2500	5.70	0.36	9.14	29.7	48.0
WD07015#12H	√	√	12	7.0~13.8	0.34	4.08	3600	7.40	0.74	18.80	38.6	48.0
WD07015#12M	√	√	12	7.0~13.8	0.20	2.40	3100	6.90	0.56	14.22	36.5	48.0
WD07015#12L	√	√	12	7.0~13.8	0.12	1.44	2500	5.70	0.36	9.14	29.7	48.0

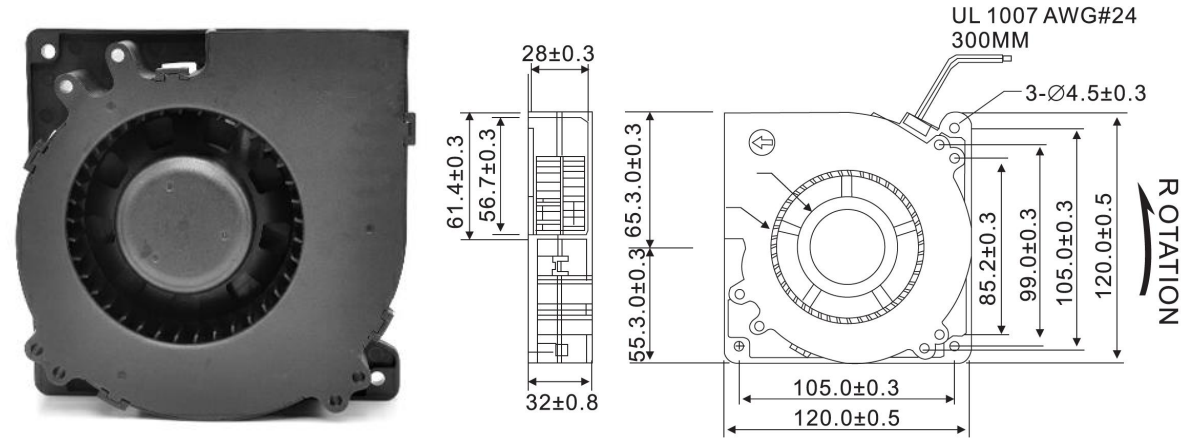
All models could be customized on voltage or any other requirements to fit your need.

DC BLOWER FAN

12032 120x32MM

Features

- Size-----120x32mm(4.7x1.3inch)
- Frame-----Plastic UL94V0
- Impeller-----Plastic UL94V0
- Lead Wire--UL1007AWG#24 or Equivalent (+) Red, (-) Black
- Bearings----C=Ball Bearing&S=Sleeve Bearing
- Life Expectancy---70,000Hours at 20°C-Ball. 30,000Hours at 20°C-Sleeve
- Temperature Range: Temperature Range...Operating Temperature -10°C~70°C(Non-condensing)
Storage Temperature -40°C~70°C(Non-condensing)
- Approvals---UL CUL TUV CE RoHS
- DC FAN Specials---RD,FG, IP56, PWM



Model	Bearing System		Rated Voltage	Operating Voltage	Current	Input Power	Rated Speed	Air Flow	Air Pressure		Noise	Weight
	S	C							inch-H20	mm-H20		
WD12032#12H	√	√	12	7.0~13.8	2.00	24.00	3500	38.06	1.42	36.07	56.1	278.0
WD12032#12M	√	√	12	7.0~13.8	1.00	12.00	3000	32.62	1.04	26.42	53.1	278.0
WD12032#12L	√	√	12	7.0~13.8	0.70	8.40	2500	26.31	0.63	16.00	47.6	278.0
WD12032#24H	√	√	24	14~27.6	1.00	24.00	3500	38.06	1.42	36.07	56.1	278.0
WD12032#24M	√	√	24	14~27.6	0.70	16.80	3000	32.62	1.04	26.42	53.1	278.0
WD12032#24L	√	√	24	14~27.6	0.40	9.60	2500	26.31	0.63	16.00	47.6	278.0

All models could be customized on voltage or any other requirements to fit your need.

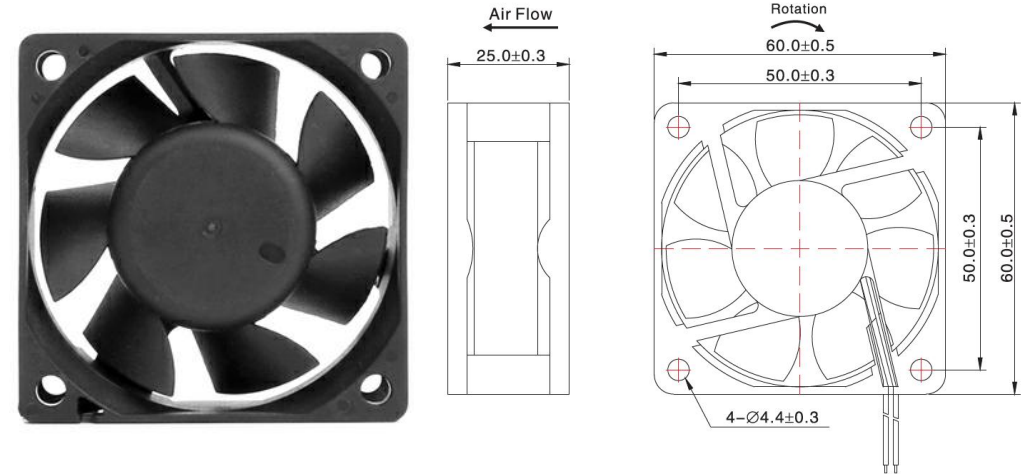
EC COOLING FAN

100VAC to 240VAC Energy Saving AC Fan

6025 60x60x25MM

Features

- Size-----60x60x25mm(2.4x2.4x1.0inch)
- Frame-----Plastic UL94V0
- Impeller-----Plastic UL94V0
- Lead Wire--UL1007AWG#22 or Equivalent (+) Red, (-) Black
- Bearings----C=Ball Bearing
- Life Expectancy---70,000Hours at 40°C---Ball bearing
- Input Voltage-----A rated voltage range of 100V~240V(50/60Hz)AC&DC, Rotationspeed remains constant even at different input voltages
- Dielectric Strength-----1800VAC/SmA/3S (Between input terminal and frame)
- Temperature Range---Operating Temperature -25*c~70'C (Noncondensing)
Storage Temperature -40*C~80*C(Non-condensing)
- EC FAN Specials---RD,FG, IP56



Model	Bearing System	Rated Voltage	Power	Rated Speed	Air Flow	Air Pressure		Noise	Weight
Part No.	C	VDC	Watt	R.P.M	CFM	inch-H20	mm-H20	dBa	g
EC06025##H	√	100~240	2.30	6000	31.75	0.25	6.35	32.9	69.0
EC06025##M	√	100~240	1.70	5000	26.55	0.20	5.08	30.7	69.0
EC06025##S	√	100~240	1.40	4000	21.08	0.15	3.81	27.8	69.0

All models could be customized on voltage or any other requirements to fit your need.

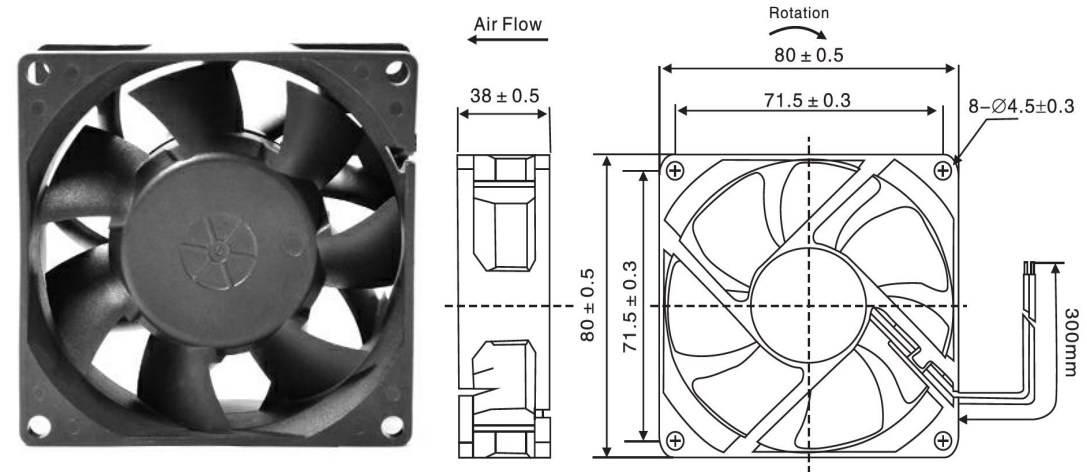
EC COOLING FAN

100VAC to 240VAC Energy Saving AC Fan

8038 80x80x38MM

Features

- Size-----80x80x38mm(3.2x3.2x1.5inch)
- Frame-----Plastic UL94V0
- Impeller-----Plastic UL94V0
- Lead Wire--UL1007AWG#22 or Equivalent (+) Red, (-) Black
- Bearings----C=Ball Bearing
- Life Expectancy---70,000Hours at 40°C---Ball bearing
- Input Voltage-----A rated voltage range of 100V~240V(50/60Hz)AC&DC,Rotationspeed remains constant even at different input voltages.
- Dielectric Strength-----1800VAC/SmA/3S (Between input terminal and frame)
- Temperature Range---Operating Temperature -25*c~70'C (Noncondensing)
Storage Temperature -40*C~80*C(Non-condensing)
- EC FAN Specials---RD,FG, IP56



Model	Bearing System	Rated Voltage	Power	Rated Speed	Air Flow	Air Pressure		Noise	Weight
Part No.	C	VDC	Watt	R.P.M	CFM	inch-H20	mm-H20	dBA	g
EC08038##H	√	100~240	5.50	4000	42.26	0.32	8.13	38.9	162.0
EC08038##M	√	100~240	3.20	3500	36.69	0.25	6.35	35.1	162.0
EC08038##S	√	100~240	2.70	3000	31.20	0.18	4.57	30.1	162.0

All models could be customized on voltage or any other requirements to fit your need.

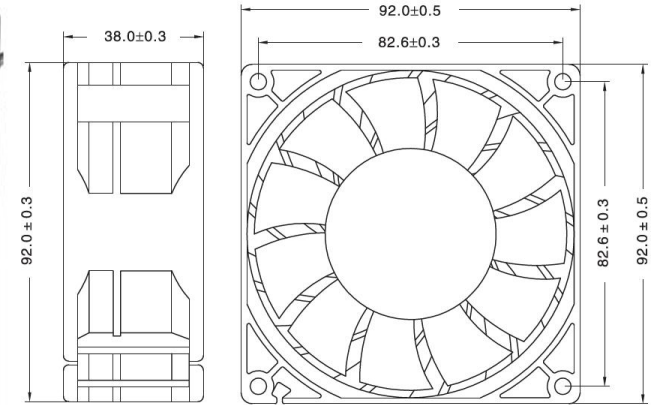
EC COOLING FAN

100VAC to 240VAC Energy Saving AC Fan

9238 92x92x38MM

Features

- Size-----92x92x38mm(3.6x3.6x1.5inch)
- Frame-----Plastic UL94V0
- Impeller-----Plastic UL94V0
- Lead Wire--UL1007AWG#22 or Equivalent (+) Red, (-) Black
- Bearings----C=Ball Bearing
- Life Expectancy---70,000Hours at 40°C---Ball bearing
- Input Voltage-----A rated voltage range of 100V~240V(50/60Hz)AC&DC, Rotationspeed remains constant even at different input voltages.
- Dielectric Strength-----1800VAC/SmA/3S (Between input terminal and frame)
- Temperature Range---Operating Temperature -25*c~70'C (Noncondensing)
Storage Temperature -40*C~80*C(Non-condensing)
- EC FAN Specials---RD,FG, IP56



Model	Bearing System	Rated Voltage	Power	Rated Speed	Air Flow	Air Pressure		Noise	Weight
Part No.	C	VDC	Watt	R.P.M	CFM	inch-H20	mm-H20	dBA	g
EC09238##H	√	100~240	5.50	3500	60.81	0.24	6.10	40.2	174.0
EC09238##M	√	100~240	2.80	3000	52.73	0.19	4.83	37.0	174.0
EC09238##S	√	100~240	2.20	2500	44.02	0.13	3.30	33.3	174.0

All models could be customized on voltage or any other requirements to fit your need.

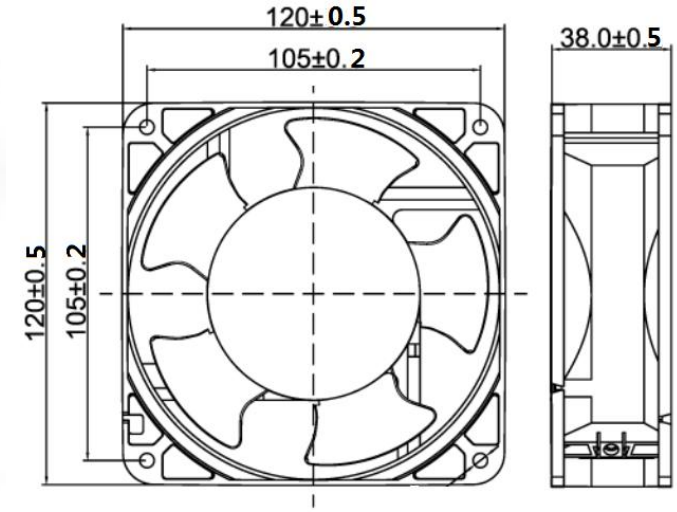
EC COOLING FAN

100VAC to 240VAC Energy Saving AC Fan

12038 120x120x38MM

Features

- Size-----120x120x38mm(4.7x4.7x1.5inch)
- Frame-----Plastic UL94V0
- Impeller-----Plastic UL94V0
- Lead Wire--UL1007AWG#22 or Equivalent (+) Red, (-) Black
- Bearings----C=Ball Bearing
- Life Expectancy---70,000Hours at 40°C---Ball bearing
- Input Voltage-----A rated voltage range of 100V~240V(50/60Hz)AC&DC, Rotationspeed remains constant even at different input voltages.
- Dielectric Strength-----1800VAC/SmA/3S (Between input terminal and frame)
- Temperature Range---Operating Temperature -25*c~70'C (Noncondensing)
Storage Temperature -40*C~80*C(Non-condensing)
- EC FAN Specials---RD,FG, IP56



Model	Bearing System	Rated Voltage	Power	Rated Speed	Air Flow	Air Pressure		Noise	Weight
Part No.	C	VDC	Watt	R.P.M	CFM	inch-H2O	mm-H2O	dBA	g
EC12038##E	√	100~240	15.00	4000	142.79	0.52	13.21	54.5	147.0
EC12038##H	√	100~240	9.50	3500	125.79	0.41	10.41	50.7	147.0
EC12038##M	√	100~240	6.20	3000	109.37	0.33	8.38	45.6	147.0
EC12038##S	√	100~240	4.20	2500	90.31	0.22	5.59	40.3	147.0

All models could be customized on voltage or any other requirements to fit your need.

AC COOLING FAN

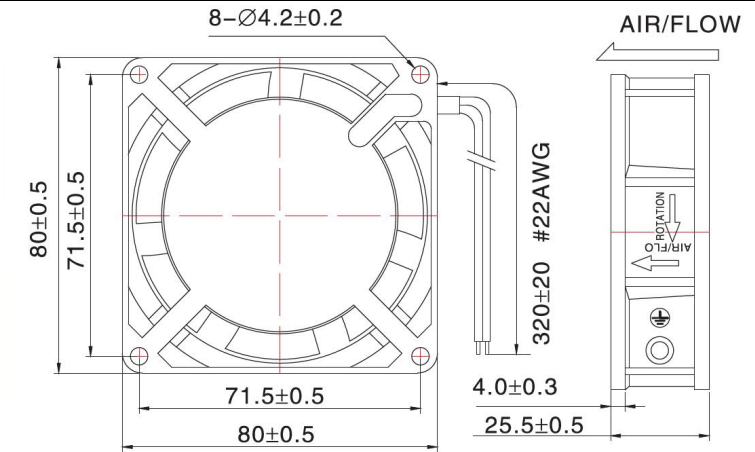
100VAC to 240VAC Energy Saving AC Fan

8025 80x80x25MM

Features

- Size-----80x80x25mm(3.2x3.2x1.0inch)
- Frame-----Die-casting aluminum painted black
- Impeller-----Plastic UL94V0
- Dielectric Strength.....50/60Hz 1500VAC 1min (Between input terminal and frame)
- Bearings-----C=Ball Bearing&S=Sleeve Bearing
- Life Expectancy---60,000Hours at 20°C-Ball. 30,000Hours at 20°C-Sleeve
- Temperature Range: Temperature Range...Operating Temperature -10°C~70°C(Non-condensing)
Storage Temperature -40°C~70°C(Non-condensing)

Approvals---CE



Model	Bearing System		Rated Voltage	Freq	Current	Input Power	Rated Speed	Air Flow	Air Pressure		Noise	Weight
	S	C							inch-H20	mm-H20		
Part No.	S	C	VDC	Hz	A	Watt	R.P.M	CFM			dBa	g
AC08025#11M	√	√	110	50/60	0.11	12.10	3000	17.28	0.19	4.83	35.2	230.0
AC08025#11L	√	√	110	50/60	0.11	12.10	2900	16.70	0.18	4.57	34.5	230.0
AC08025#22M	√	√	220	50/60	0.09	19.80	2550	14.49	0.13	3.30	31.7	230.0
AC08025#22L	√	√	220	50/60	0.09	19.80	2450	13.92	0.12	3.05	30.8	230.0

All models could be customized on voltage or any other requirements to fit your need.

Note:"11" is 110VAC,"22" is 220VAC

AC COOLING FAN

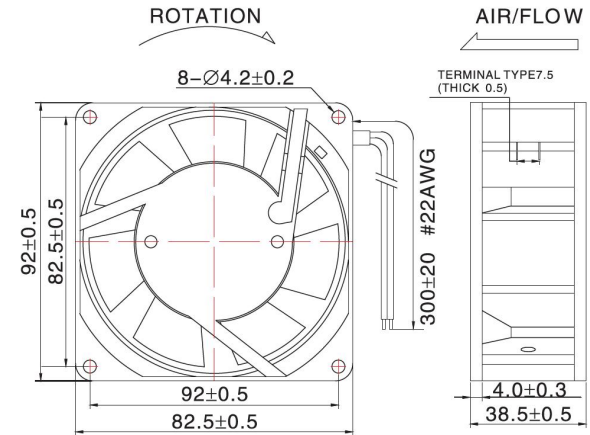
100VAC to 240VAC Energy Saving AC Fan

9238 92x92x38MM

Features

- Size-----80x80x25mm(3.2x3.2x1.0inch)
- Frame-----Die-casting aluminum painted black
- Impeller-----Plastic UL94V0
- Dielectric Strength.....50/60Hz 1500VAC 1min (Between input terminal and frame)
- Bearings-----C=Ball Bearing&S=Sleeve Bearing
- Life Expectancy---60,000Hours at 20°C-Ball. 30,000Hours at 20°C-Sleeve
- Temperature Range: Operating Temperature -10°C~70°C(Non-condensing)
Storage Temperature -40°C~70°C(Non-condensing)

Approvals---CE



Model	Bearing System		Rated Voltage	Freq	Current	Input Power	Rated Speed	Air Flow	Air Pressure		Noise	Weight
	S	C							inch-H20	mm-H20		
AC09238#11M	√	√	110	50/60	0.15	16.50	2500	38.22	0.16	4.06	36.3	340.0
AC09238#11L	√	√	110	50/60	0.15	16.50	2400	36.69	0.15	3.81	34.5	340.0
AC09238#22M	√	√	220	50/60	0.08	17.60	2200	33.63	0.13	3.30	31.4	340.0
AC09238#22L	√	√	220	50/60	0.08	17.60	2100	32.10	0.11	2.79	30.8	340.0

All models could be customized on voltage or any other requirements to fit your need.

Note:"11" is 110VAC,"22" is 220VAC

AC COOLING FAN

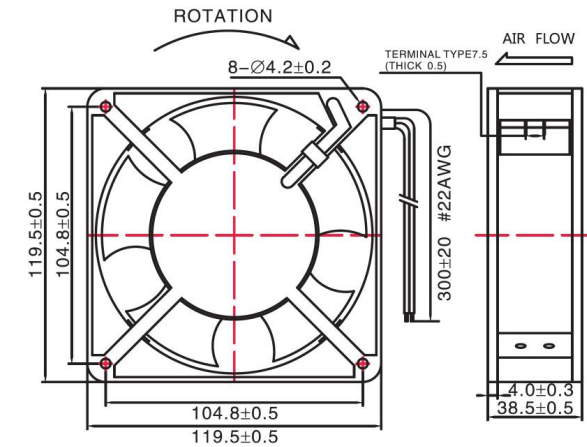
100VAC to 240VAC Energy Saving AC Fan

12038 120x120x38MM

Features

- Size-----120x120x38mm(4.7x4.7x1.5inch)
- Frame-----Die-casting aluminum painted black
- Impeller-----Plastic UL94V0
- Dielectric Strength.....50/60Hz 1500VAC 1min (Between input terminal and frame)
- Bearings-----C=Ball Bearing&S=Sleeve Bearing
- Life Expectancy---60,000Hours at 20°C-Ball. 30,000Hours at 20°C-Sleeve
- Temperature Range: Operating Temperature -10°C~70°C(Non-condensing)
Storage Temperature -40°C~70°C(Non-condensing)

Approvals---CE



Model	Bearing System		Rated Voltage	Freq	Current	Input Power	Rated Speed	Air Flow	Air Pressure		Noise	Weight
	S	C							inch-H20	mm-H20		
Part No.	S	C	VDC	Hz	A	Watt	R.P.M	CFM			dBA	g
AC12038#11M	√	√	110	50/60	0.23	25.30	2900	88.37	0.28	7.11	45.3	320.0
AC12038#11L	√	√	110	50/60	0.19	20.90	2800	85.33	0.26	6.60	44.5	320.0
AC12038#22M	√	√	220	50/60	0.11	24.20	2700	80.34	0.27	6.86	42.3	320.0
AC12038#22L	√	√	220	50/60	0.10	22.00	2500	71.39	0.23	5.84	41.5	320.0

All models could be customized on voltage or any other requirements to fit your need.

Note:"11" is 110VAC,"22" is 220VAC

AC COOLING FAN

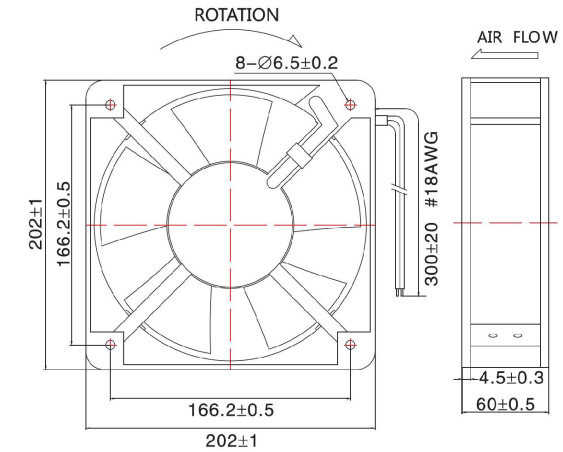
100VAC to 240VAC Energy Saving AC Fan

20060 200x200x60MM

Features

- Size-----200x200x60mm(7.9x7.9x2.4inch)
- Frame-----Die-casting aluminum painted black
- Impeller-----Plastic UL94V0
- Dielectric Strength.....50/60Hz 1500VAC 1min (Between input terminal and frame)
- Bearings-----C=Ball Bearing
- Life Expectancy---60,000Hours at 20°C-Ball.
- Temperature Range: Operating Temperature -10°C~70°C(Non-condensing)
Storage Temperature -40°C~70°C(Non-condensing)

Approvals---CE

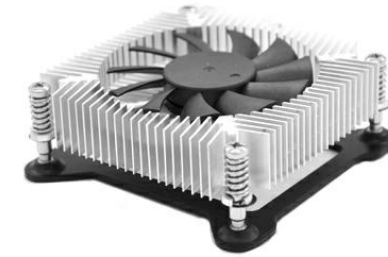


Model	Bearing System	Rated Voltage	Freq	Current	Input Power	Rated Speed	Air Flow	Air Pressure		Noise	Weight
Part No.	C	VDC	Hz	A	Watt	R.P.M	CFM	inch-H20	mm-H20	dBA	g
AC20060#11L	√	110	50/60	0.65	71.50	2500	308.23	0.19	4.83	62.3	1600.0
AC20060#22L	√	220	50/60	0.38	83.60	2300	283.57	0.16	4.06	59.5	1600.0

All models could be customized on voltage or any other requirements to fit your need.

Note:"11" is 110VAC,"22" is 220VAC

CPU HEATSINK FAN



High Air Flow, Low Noise

Model	IS30i
Application	All Intel®Socket LGA775/1155/1156 CPU
TDP	75W
Heat sink Material	Aluminum with copper insert
Heat pipe	N/A
Heat sink Dimensions	87X85X29mm(L*W* H)
Fan Dimensions	Φ74x15 mm
Bearing	Hydraulic Bearing
Rated Speed	600~3000 ±10% RPM(PWM controlled)
Current	0.19±0.02 Amp
Connector	4 PIN (2510)
Thermal Grease	ST-420
Package includes	Grease/Manual
Packaging Type	Brown Box 128*128*68
N.W	0.205KG
Packaging	20pcs/ctn

High Air Flow, Low Noise

Model	FD07010-115X
Application	LGA 1156/1155/1150Intel ® Core i7™800 seriesIntel ® Core i5™700 seriesIntel ® Core i5™ *** seriesIntel ® Core i3™*** series
TDP	75W
Heat sink Material	Aluminum
Heat pipe	N/A
Heat sink Dimensions	85x85x20mm(L*W* H)
Fan Dimensions	65x65x10 mm
Bearing	One Ball/Sleeve
Rated Speed	1500-3500RPM±10%
Current	0.02 -0.10 A
Connector	3Pin/4Pin PWM
Heat Sink Weight	135 G
Life Expectancy	30,000 hours
CPU Power	1.08 W
Fan Air Flow	7.5-22.3CFM
Max Noise Level	12.5-30.8 dB(A)

CPU HEATSINK FAN



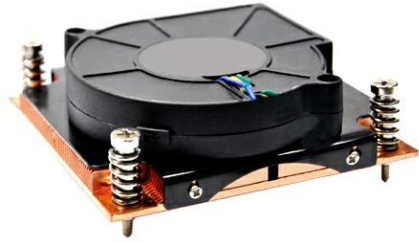
High Air Flow, Low Noise

Model	8W2016T1M402
Application	Socket 1156/775
TDP	135W
Heat pipe	Silver(4Pcs Heat pipes)
Fan Dimensions	120X120X25 mm
Bearing	Two Ball Bearing
Rated Speed	800-1800RPM±10% RPM
Current	0.3+0.02 Amp
Connector	4PIN (2510)
Package Includes	Grease/annual
Packaging Type	White Box 142*142*210MM
Packaging	20pcs/ctn

High Air Flow, Low Noise

Model	8W2010F1M4
Application	AMD Socket FM1/AM3+/AM3/AM2+/AM2194019391754 Intel SocketLGA2011/1366/1156/11551775
Rated Voltage	12VDC
Rated Power	3.84WATTS
TDP	≥ 110W
Heat pipe	Two(4)6mm all copper U-shaped
Fan Dimensions	92X92X25 mm
Bearing	Hydraumatic Bearing
Rated Speed	800-2800RPM±10% RPM
Current	0.32+0.02 Amp
Connector	4PIN (2510)
Noise level	20.0~34.0 d BA

CPU HEATSINK FAN



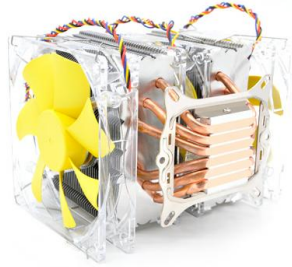
High Air Flow, Low Noise

Model	2011 cpu cooler
Application	LGA2011
Rated Voltage	12VDC
Rated Power	5.40 WATTS
TDP	≥ 135W
Heat sink Material	CU
Fan Dimensions	70X15 mm
Bearing	Hydraumatic Bearing
Rated Speed	5300RPM±10% RPM
Current	0.32+0.02 Amp
Connector	4PIN (2510)
Noise level	20.0~34.0 d BA

High Air Flow, Low Noise

Model	F9225A cooler
Rated Voltage	12VDC
Fan Dimensions	92x25mm
TDP	70W
Bearing	Hydraulic bearing/Two ball bearing/Sleeve bearing
Rated Speed	2400±10% RPM
Heat Sink	90x85x19.8mm Copper anodized black
Noise	22.00dBA
Air Flow	48CFM
Current	0.12A
Weight	200g
Lifetime	30,000hours

CPU HEATSINK FAN



High Air Flow, Low Noise

Model	8W2016T1M403
Application	Socket 1156/775
TDP	160W
Heat pipe	Silver(6Pcs Heat pipes)
Fan Dimensions	120X120X25 mm
Bearing	Two Ball Bearing
Rated Speed	800-1800RPM±10% RPM
Current	0.3+0.02 Amp
Connector	4PIN (2510)
Package Includes	Grease/annual
Packaging Type	White Box 142*142*210MM
Packaging	20pcs/ctn

High Air Flow, Low Noise

Model	F120 Water cooler
Application	Intel Socket LGA 2011/11366/11156/11155/11151/11150/1775 AMD Socket AM3+/AM3/AM2+/AM2/FM2+/FM2/IFM1
Rated Voltage	12VDC
TDP	95W
Fan Dimensions	120x120x25mm
Bearing	Hydraulic bearing
Rated Speed	800-1800±10% RPM
Heat sink	Aluminum
Air Flow	20.13~86.0CFM
Pump Size	60x60x35mm
Pump lifetime	120,000hours
Connector	4PIN (2510) PWM

Thank You

We look forward to the opportunity to work with you.

